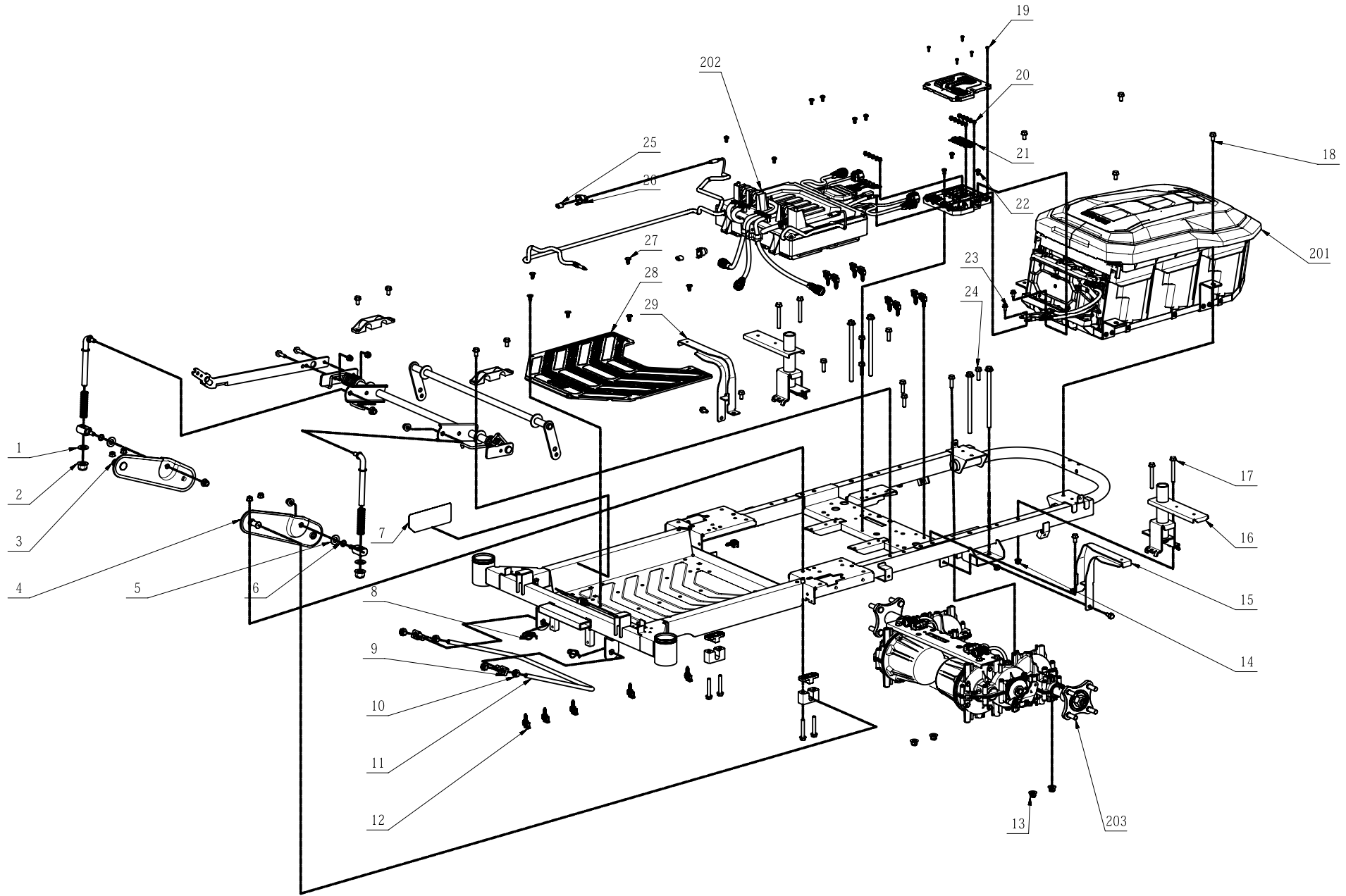


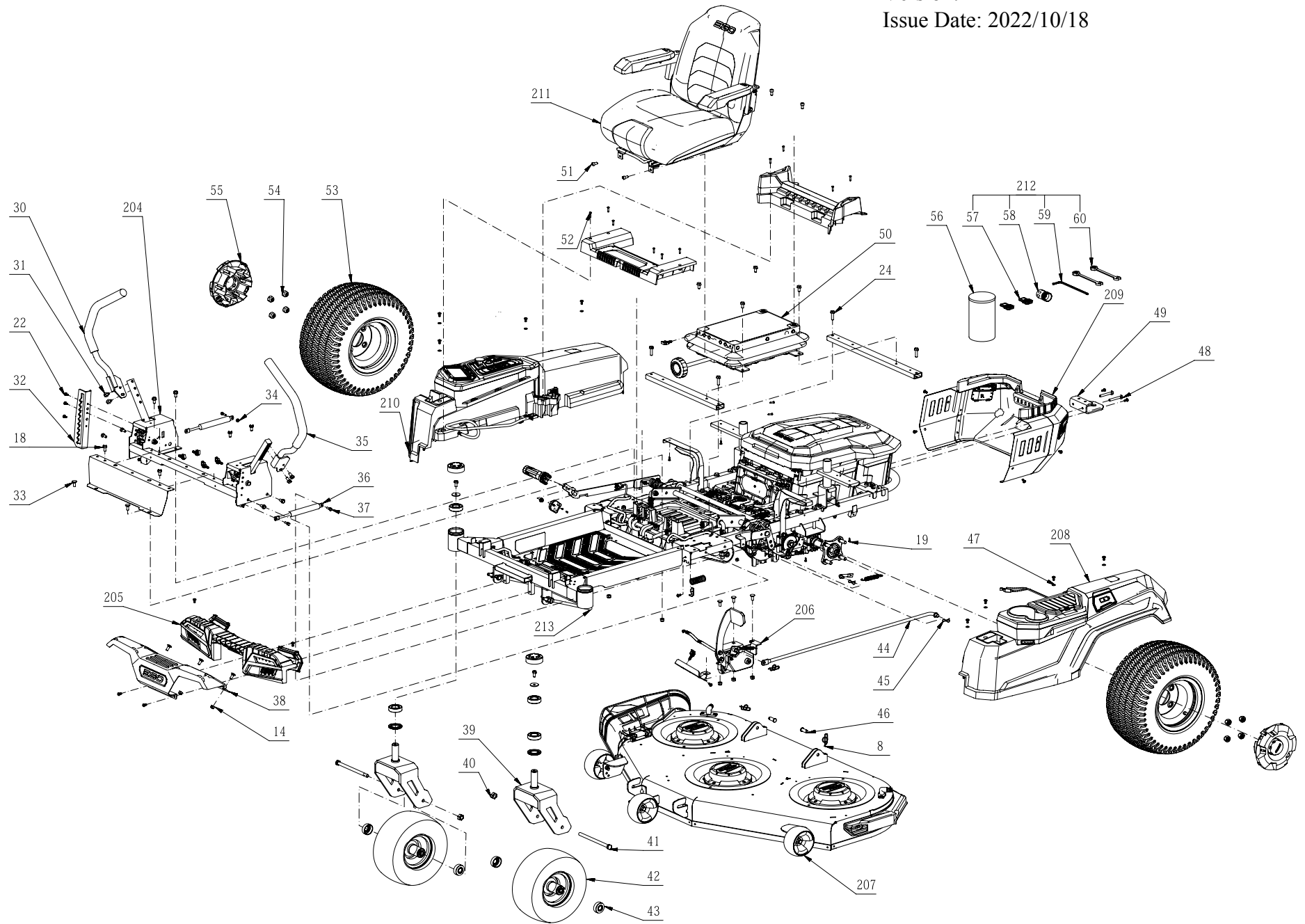


Product Description: Zero Turn Riding Mower
Model Number: ZT5200E-L
Body Number: 2829400001S01
Version: A
Issue Date: 2022/11/25



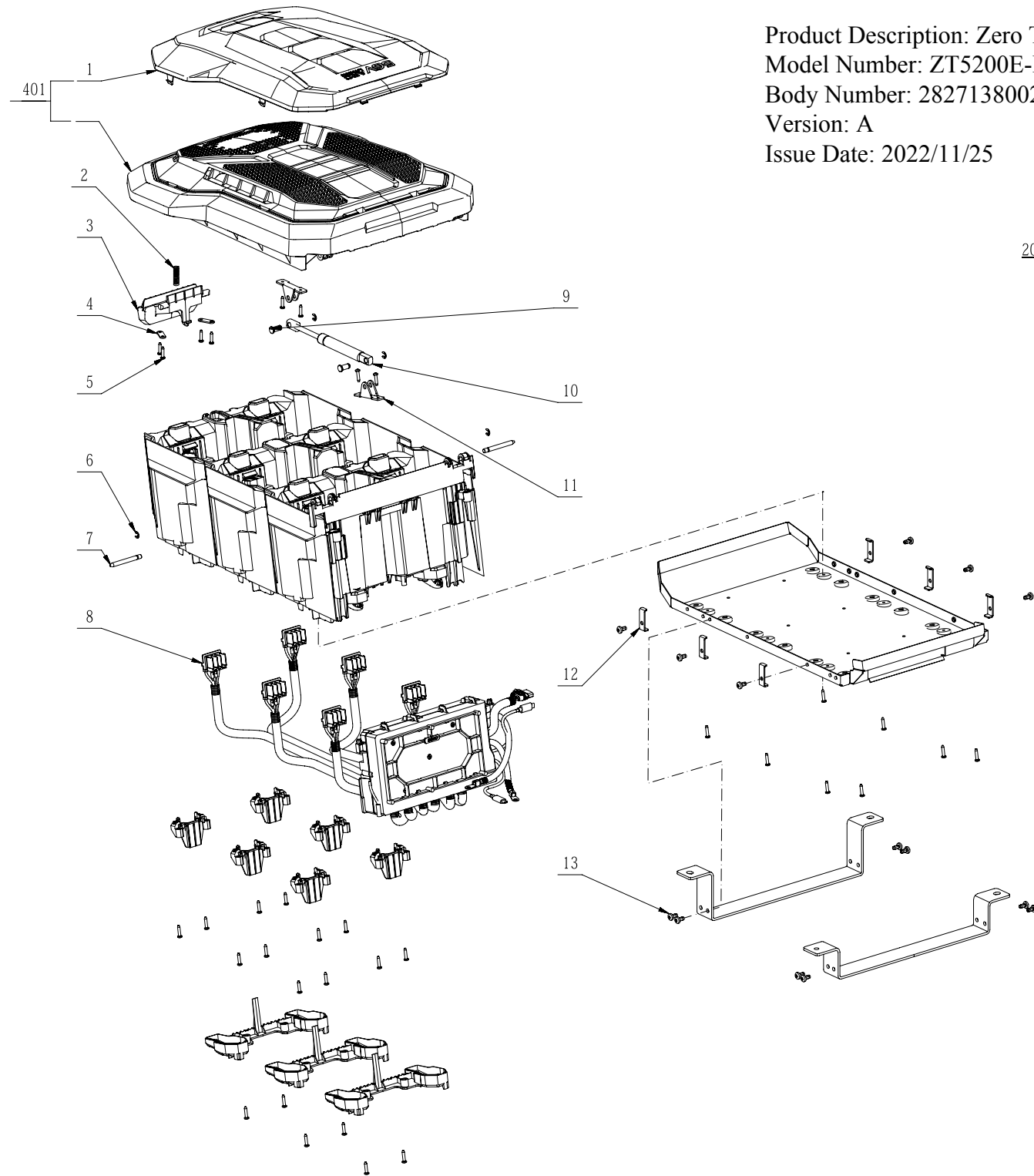


Product Description: Zero Turn Riding Mower
Model Number: ZT5200E-L
Body Number: 1000057001S01
Version: A
Issue Date: 2022/10/18





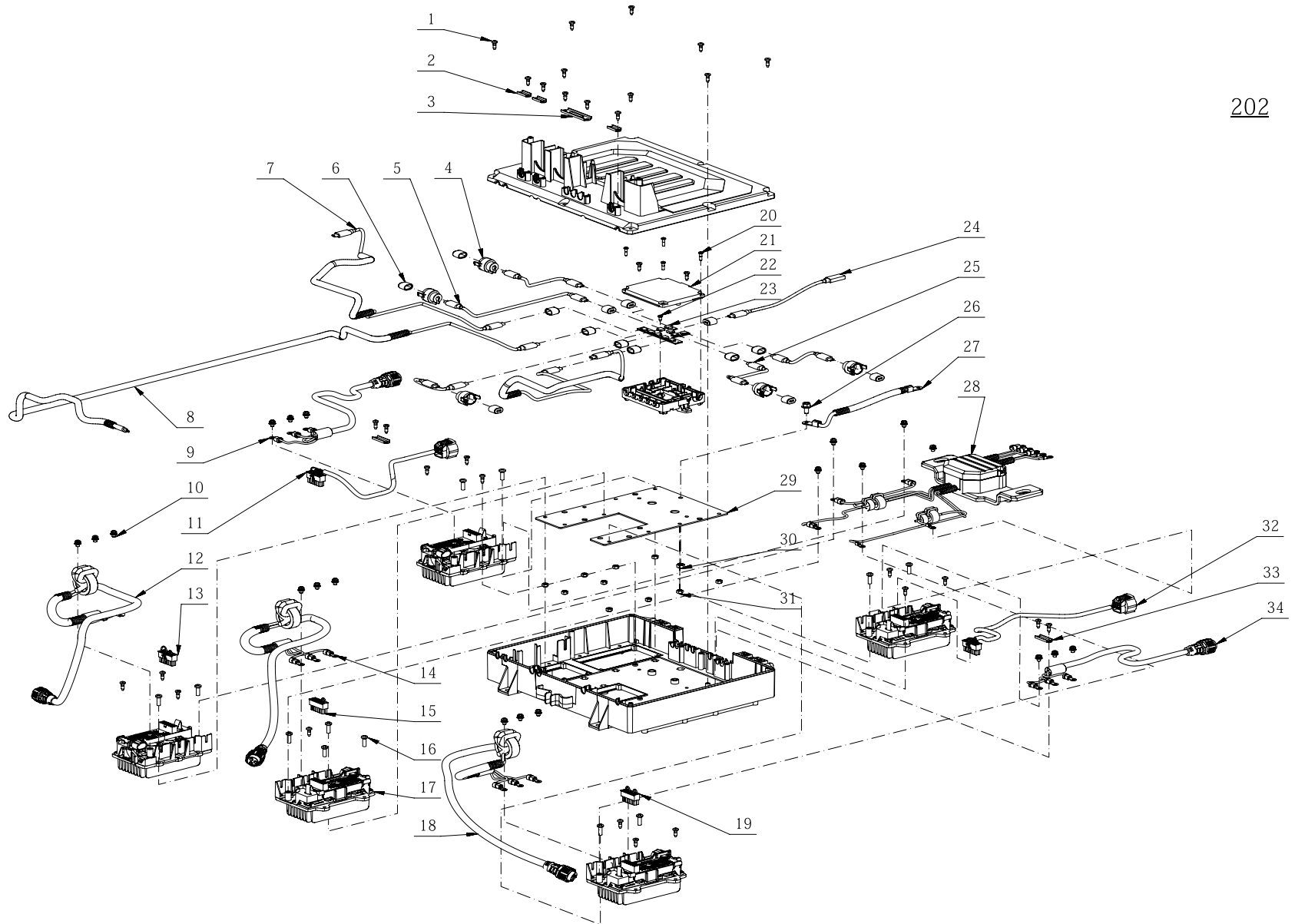
Product Description: Zero Turn Riding Mower
Model Number: ZT5200E-L
Body Number: 2827138002S02
Version: A
Issue Date: 2022/11/25





Product Description: Zero Turn Riding Mower
Model Number: ZT5200E-L
Body Number: 2829387001S01
Version: A
Issue Date: 2022/10/18

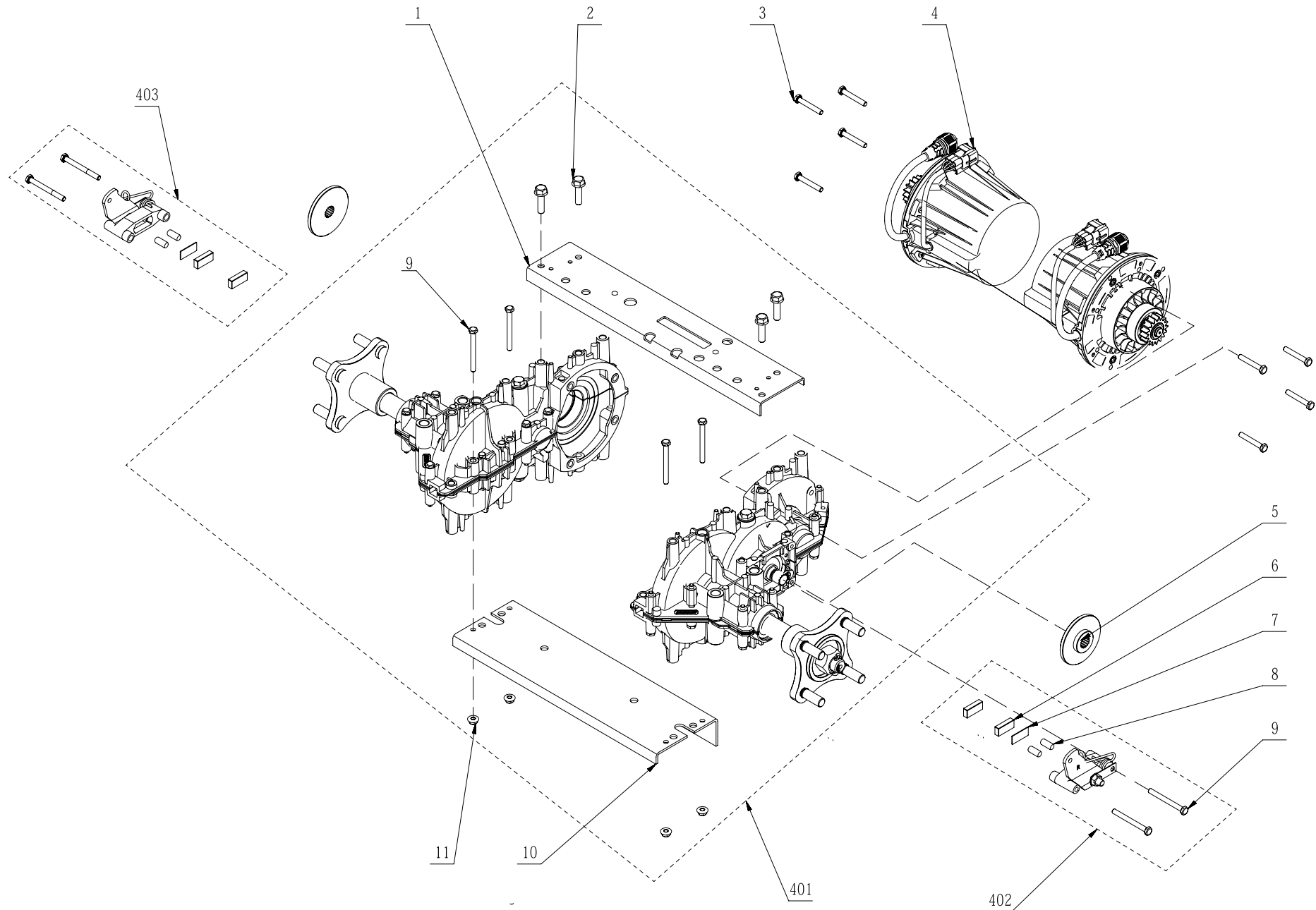
202





Product Description: Zero Turn Riding Mower
Model Number: ZT5200E-L
Body Number: 2827266001S01
Version: A
Issue Date: 2022/11/25

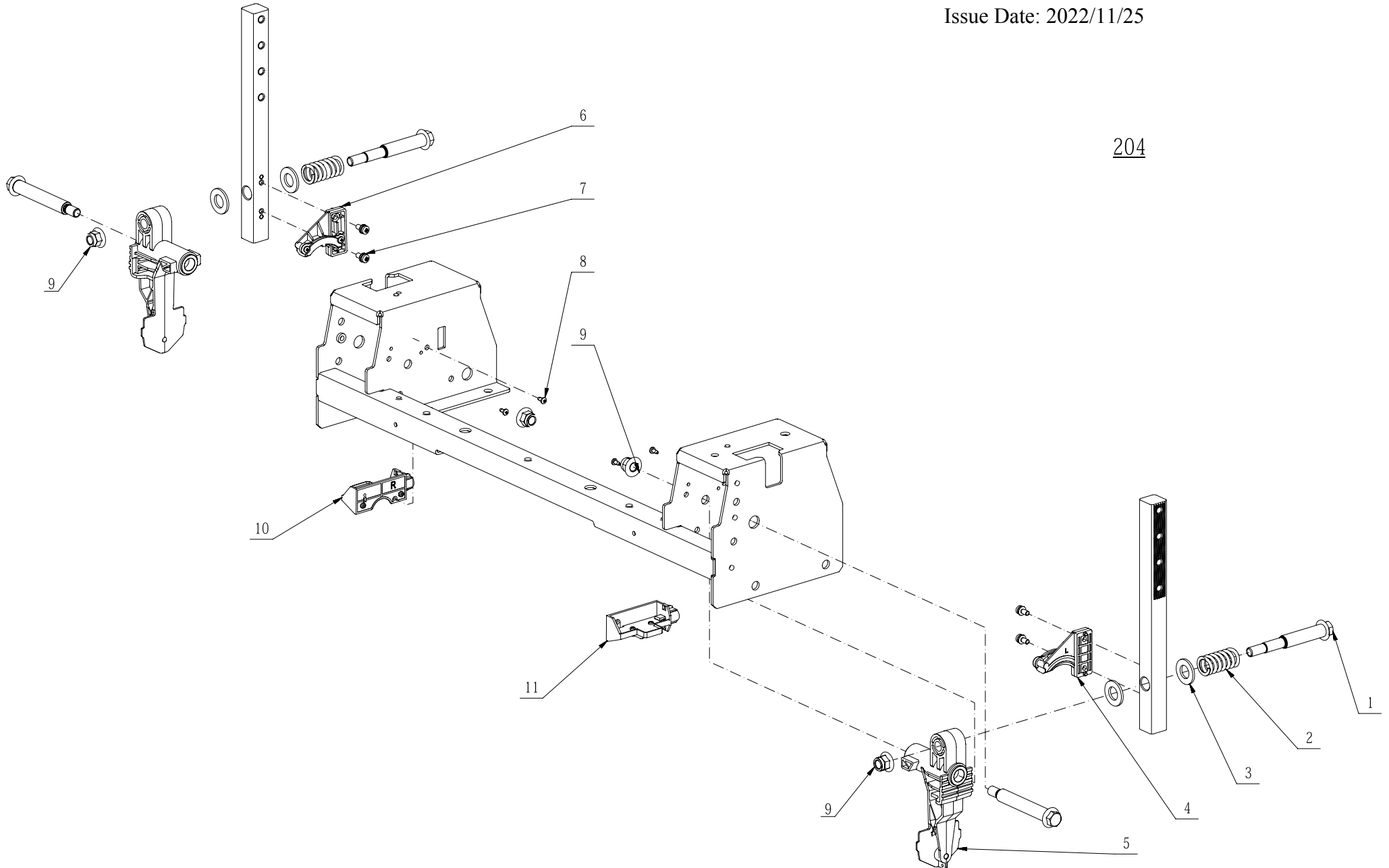
203





Product Description: Zero Turn Riding Mower
Model Number: ZT5200E-L
Body Number: 2829451001S01
Version: A
Issue Date: 2022/11/25

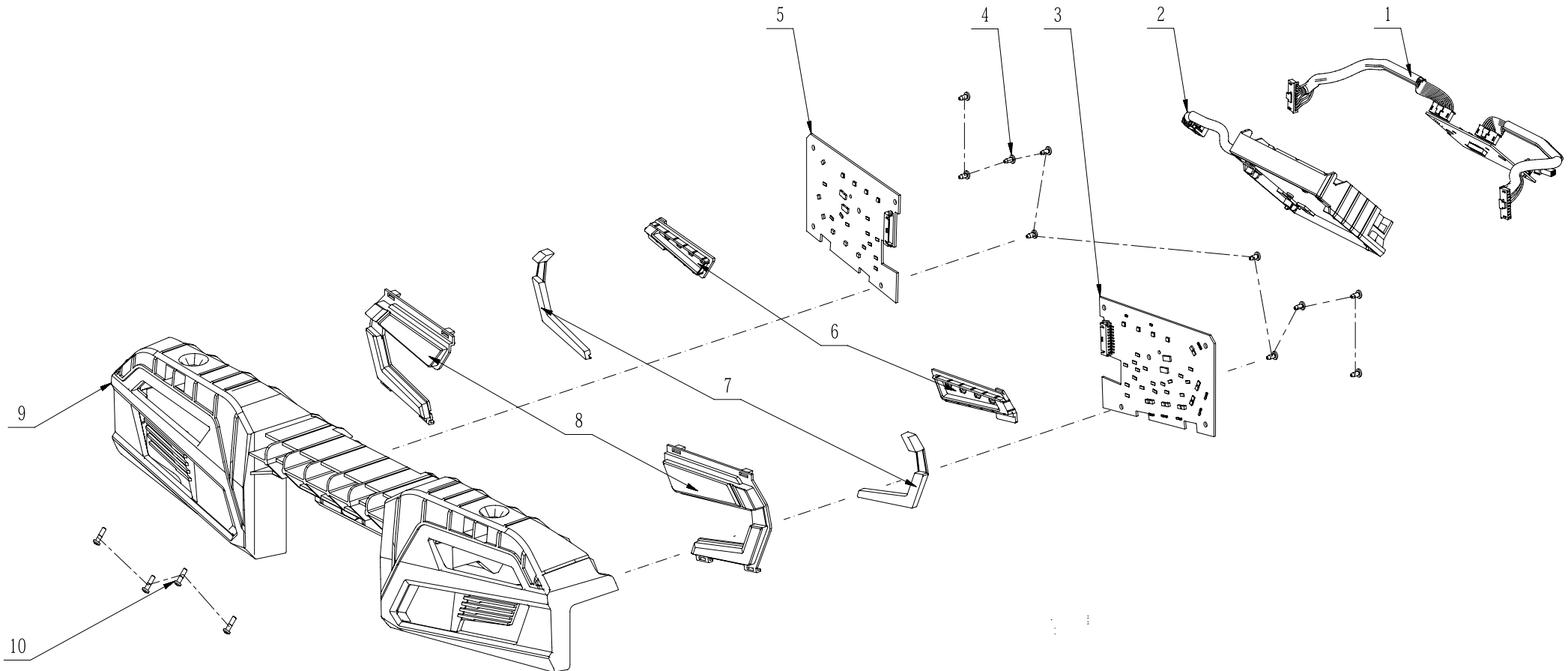
204





Product Description: Zero Turn Riding Mower
Model Number: ZT5200E-L
Body Number: 2829473001S01
Version: A
Issue Date: 2022/11/25

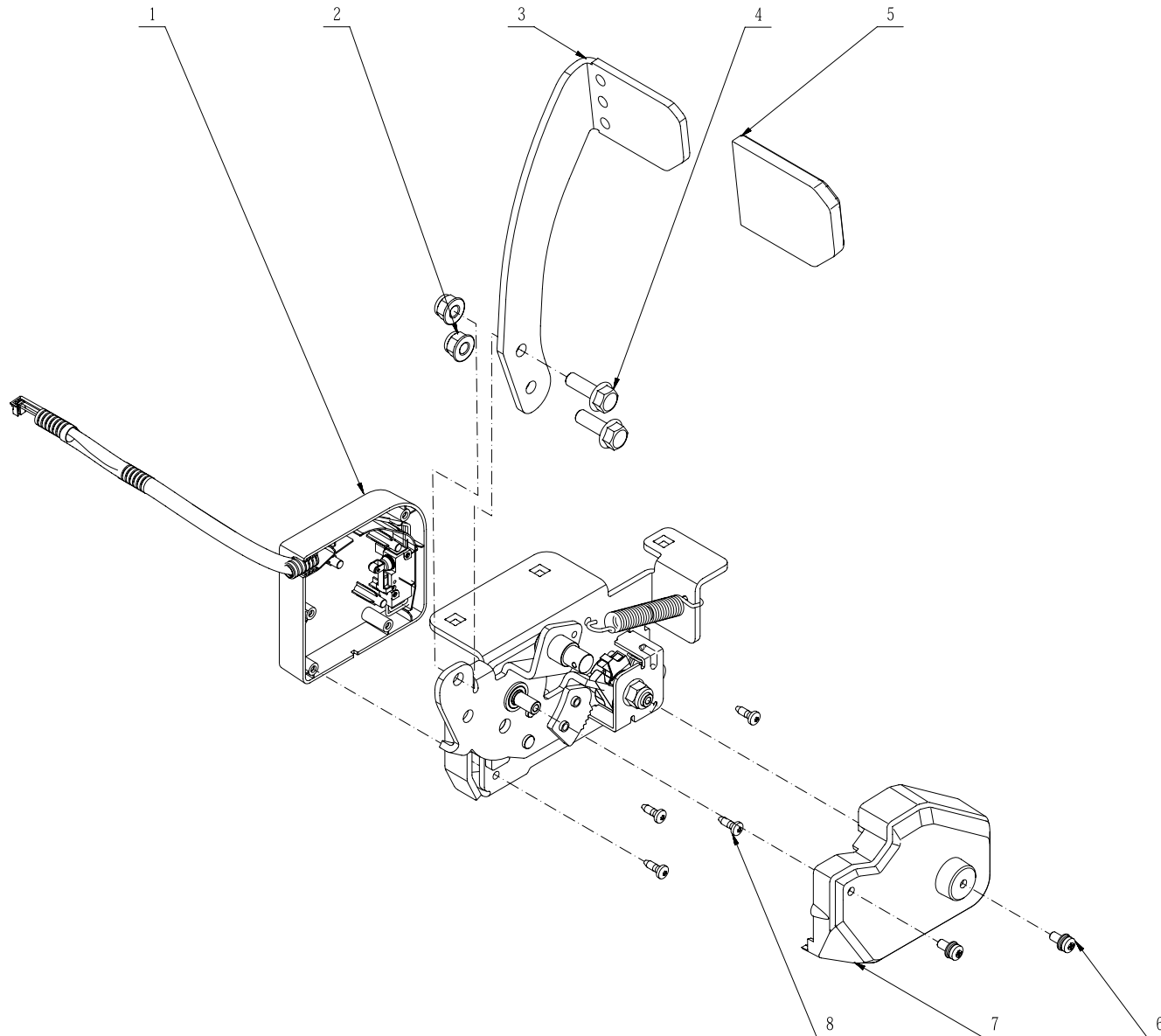
205





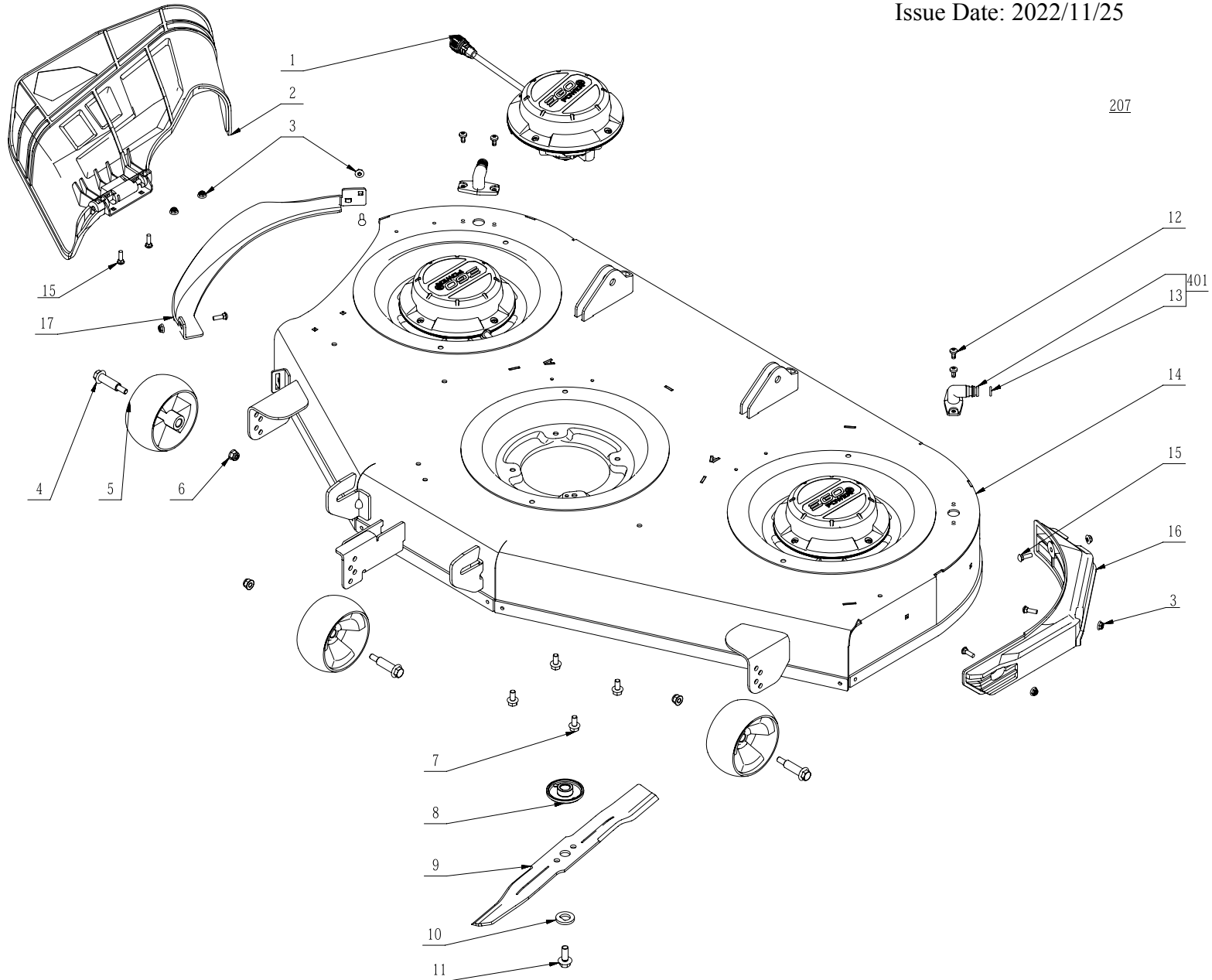
Product Description: Zero Turn Riding Mower
Model Number: ZT5200E-L
Body Number: 2827245002S01
Version: A
Issue Date: 2022/11/25

206





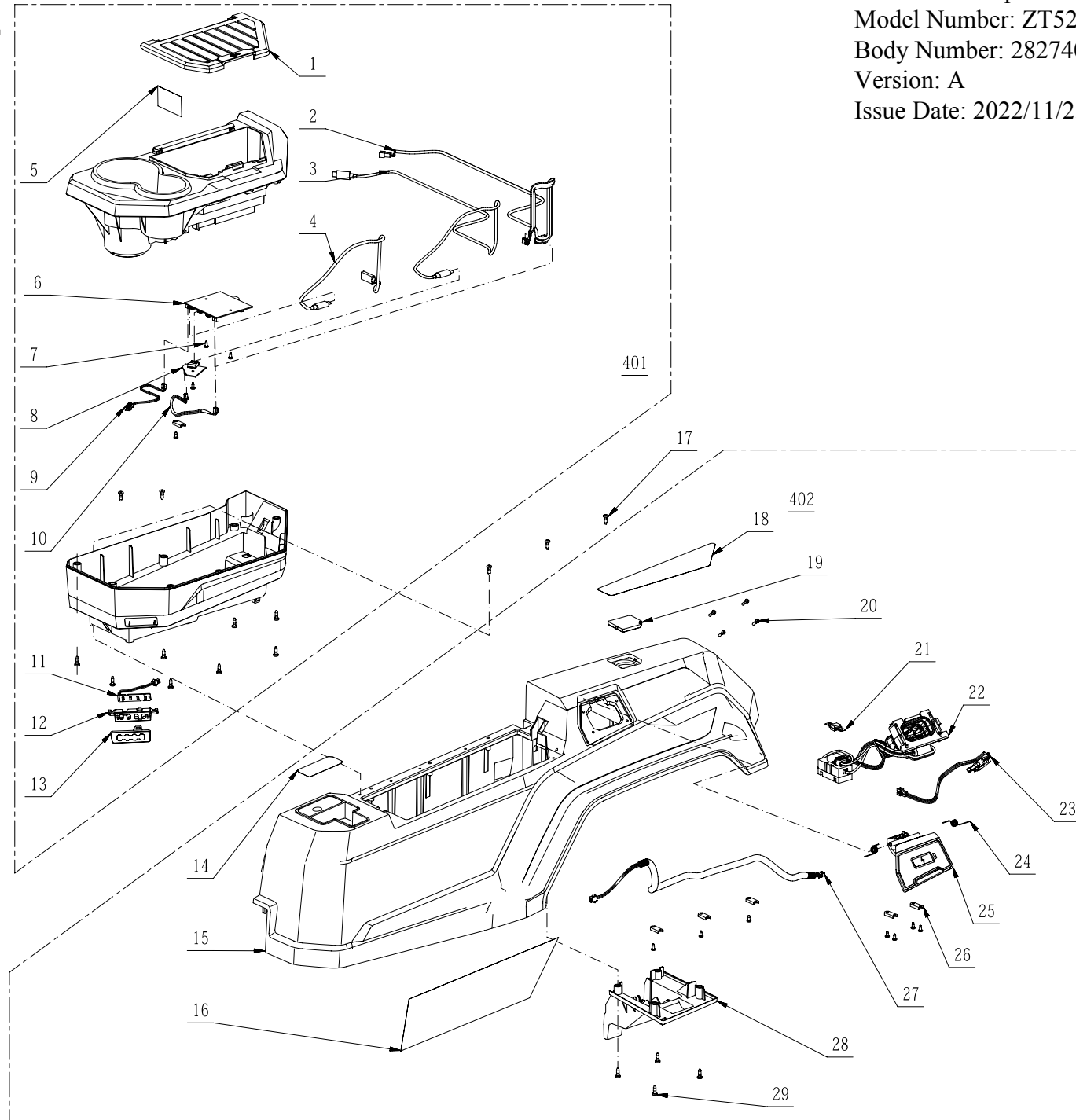
Product Description: Zero Turn Riding Mower
Model Number: ZT5200E-L
Body Number: 2824284001S01
Version: A
Issue Date: 2022/11/25





Product Description: Zero Turn Riding Mower
Model Number: ZT5200E-L
Body Number: 2827406003S01
Version: A
Issue Date: 2022/11/25

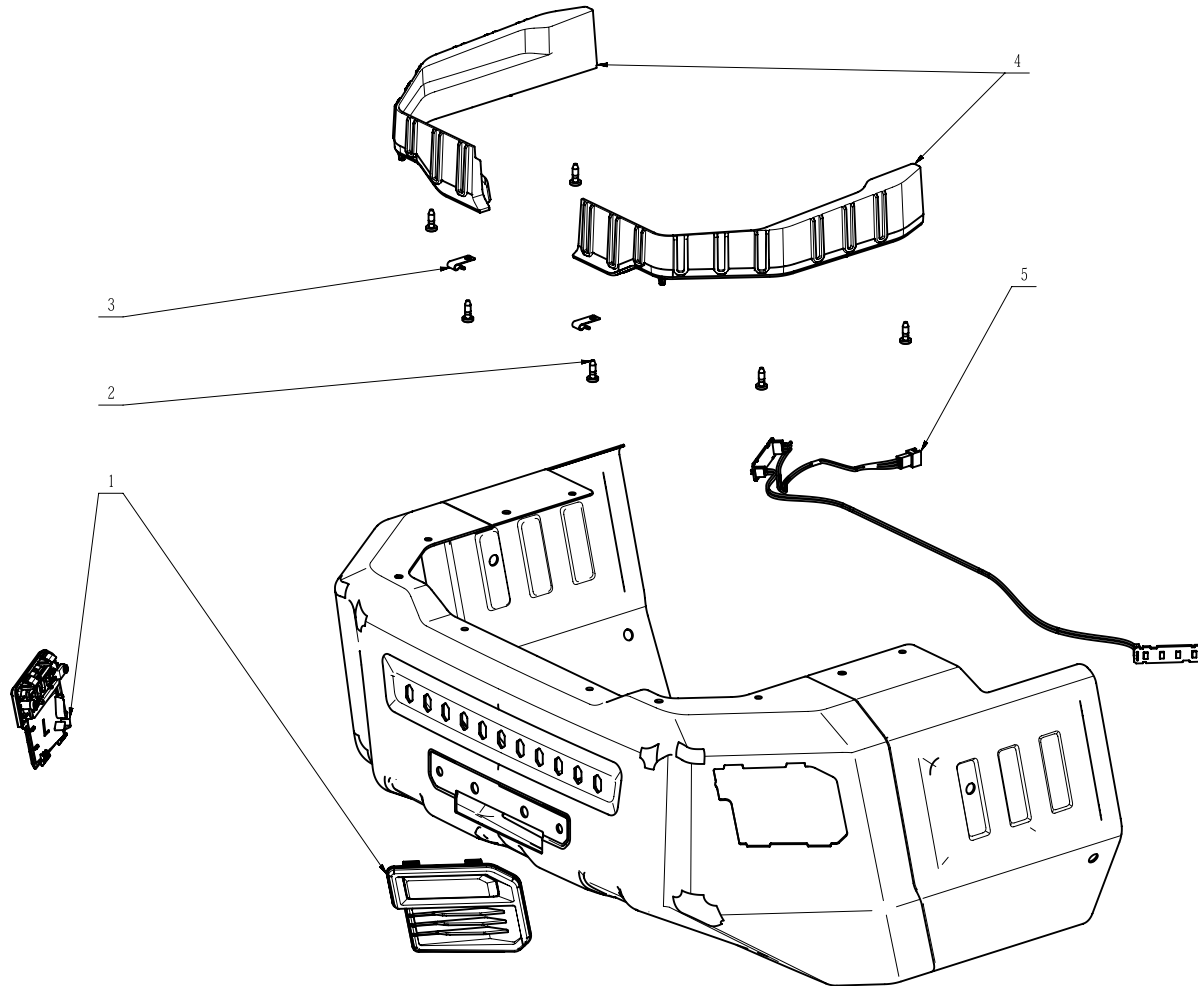
208





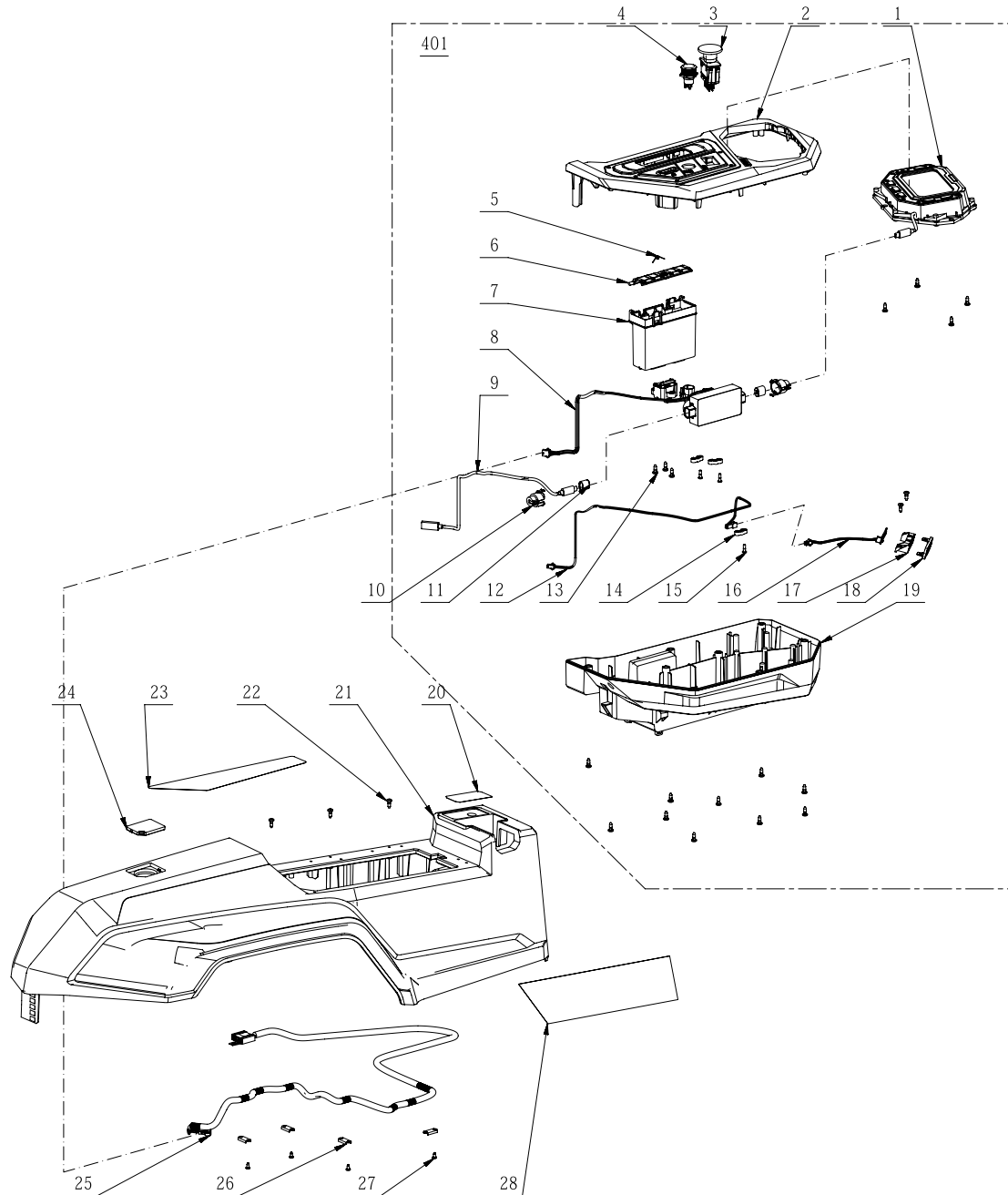
Product Description: Zero Turn Riding Mower
Model Number: ZT5200E-L
Body Number: 2827270002S01
Version: A
Issue Date: 2022/11/25

209





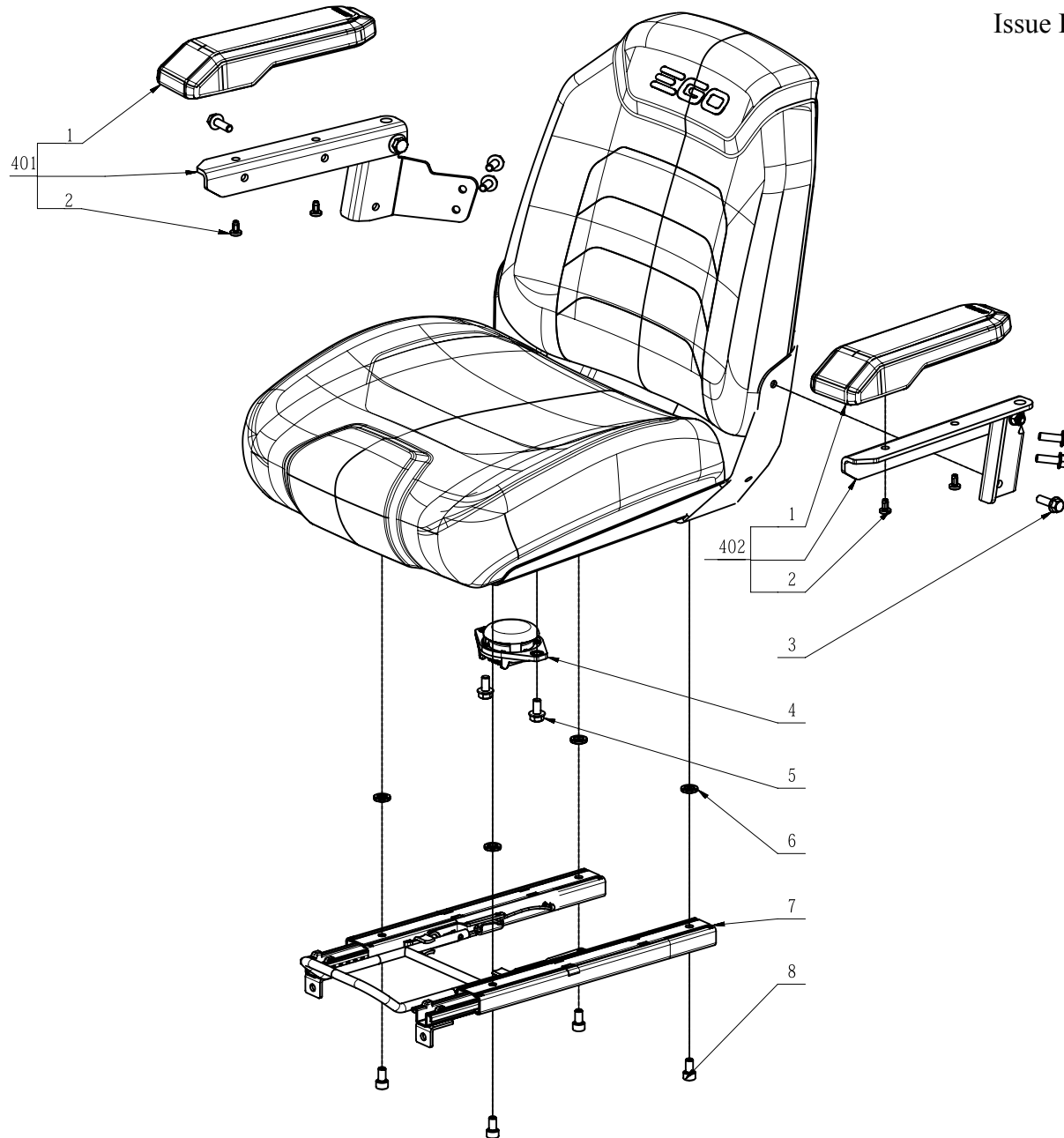
Product Description: Zero Turn Riding Mower
Model Number: ZT5200E-L
Body Number: 2827431003S01
Version: A
Issue Date: 2022/11/25



210



Product Description: Zero Turn Riding Mower
Model Number: ZT5200E-L
Body Number: 2827269001S01
Version: A
Issue Date: 2022/11/25





Repair Parts_Zero Turn Riding Mower_ZT5200E-L

Index No.	Art. No.	Description	QTY in machine	Weight (g)	Size LxWxH (mm)	MPQ	Repairable or No	Estimated Repair Time (minute)
1	5650741001	Plain Washer	2	1.6	28x28x2.5	10	Y	5
2	5630468001	Prevailing Torque Type Hexagon Lock Nut with Flange	2	15	17x30x30	1	Y	5
3	2827074001	Right Lift Arm Assembly	1	823	312x85x40	1	Y	35
4	2827075001	Left Lift Arm Assembly	1	823	312x85x40	1	Y	35
5	5650740001	Plain Washer	2	8.6	28x28x2.5	10	Y	1
6	5690532001	Seal Ring	2	0.25	14x18x2.5	10	Y	35
7	2245662003	Nameplate	1	6	150x60x0.18	50	Y	1
8	5670561001	Split Pin	3	10	23x54x8	10	Y	0.5
8	5670561001	Split Pin	2	10	23x54x8	10	Y	0.5
9	3553471001	Connecting Rod Spindle	2	60.9	44x3x16	10	Y	18
10	5630022004	Hexagon Nut	4	16	18x18x10.5	10	Y	3
11	3707327001	Hanger Rod	1	620	350x280x10	1	Y	15
12	3131157001	Wire Holder	15	15	24x8x41	10	Y	1
13	5630267001	Nut	8	13	20x20x13.5	10	Y	1
14	5630371001	Prevailing Torque Type Hexagon Lock Nut with Flange	9	8.8	16x16x10.4	10	Y	1
15	3707365001	Left Supporting Plate	1	516.3	237x203x34	1	Y	20
16	2827182001	Support Assembly	2	2260	237x96x208	1	Y	20
17	5640363001	Flange Bolt-Large Series	4	20	18x18x78	10	Y	1
18	5640360001	Hexagon Flange Head Thread Forming Screw	14	22	18x18x38	10	Y	1
19	5620377003	Hexagon Socket Screw	4	2	8x8x16	10	Y	1
20	5620618001	Screw with Washer	15	2.6	10x10x10	10	Y	1
21	4970355001	Motor Control System Fuse(80A)	5	6.7	41x12x7	10	Y	10
22	5610388001	Hexalobular Socket Thread Forming Screw	25	4.4	12x12x17	10	Y	1
23	5640373001	Hex Serrated Flange Screw	2	7.6	14x14x18	10	Y	25
24	5640361001	Hexagon Flange Head Thread Forming Screw	4	22	38x16x16	10	Y	1
25	3580076001	Rubber Sleeve	3	2.5	14x10x16	10	Y	1

Index No.	Art. No.	Description	QTY in machine	Weight (g)	Size LxWxH (mm)	MPQ	Repairable or No	Estimated Repair Time (minute)
26	3131055001	Wire Holder	3	7.5	32x22x29	10	Y	1
27	3131528001	Hook	6	5.3	15x14x16	10	Y	0.5
28	3131403001	Base Foot	1	457	443x415x5	1	Y	1
29	3707366001	Right Supporting Plate	1	516.3	237x203x34	1	Y	20
30	2827272001	Right Handle Set	1	1600	340x393x62	1	Y	2
31	5640222001	Hexagon Flange Bolt	6	18.1	18x18x24	10	Y	1
32	3707328001	Depth Stop Plate	1	458.3	52x31x245	1	Y	30
33	5640358001	Small Round Head Low Square Neck Bolt	8	13	17x23x17	10	Y	1
34	5630244004	Nut	2	5	13x13x6.7	10	Y	1
35	2827261001	Left Handle Set	1	1600	340x393x62	1	Y	2
36	2827147001	Damper	2	229.5	22x22x242	1	Y	25
37	5640350001	Hexagon Head Bolt	4	8.7	11x9x25	10	Y	20
38	2827464002	Footrest Pedal Assembly	1	4800	646x206x162	1	Y	3
39	2824320001	Front Wheel Bracket Assembly	2	5500	160x143x158	1	Y	3
40	5630070003	Nut	2	10	23x20x12	10	Y	5
41	5640464001	Hexagon Head Bolt	2	157	20x180x18	1	Y	1
42	2824251002	Front Wheel Set	2	8000	280x280x127	1	Y	5
43	3130956001	Bearing Cover	4	5	44x44x15	1	Y	0.5
44	2827083001	Connecting Rod Assembly	1	772	46x21x861	1	Y	30
45	5670563001	R Pin	3	2.3	37x16x2	10	Y	1
46	5670553001	Pin Shaft	2	2.3	37x16x2	10	Y	1
47	5650016007	Plain Washer	8	5	12x12x1	10	Y	1
48	5640353001	Flange Bolt-Large Series	2	25	18x18x48	10	Y	3
49	3707449001	Hitch	1	411.9	99x106x31	1	Y	2
50	2827209001	Shock Absorber	1	9000	340x555x122	1	Y	20
51	5620021004	Hexagon Socket Screw	4	11.5	13x13x24	10	Y	1
52	5620453003	Tapping Screw	10	10	13x13x24	10	Y	1
53	2828736002	Rear Wheel Set	2	6810	449x449x240	1	Y	5
54	5630372001	Conical Nut	8	28.8	20x24x15	10	Y	1
55	3131306001	Rear Hubcap	2	207	195x197x66	1	Y	1
56	5970136002	Grease	1	60	30x30x50	1	Y	1
57	2827673001	Key Assembly	1	30	12x35x54	10	N	0.5
58	2823689001	Quick Connect Coupling	1	30	34x34x52	1	N	1

Index No.	Art. No.	Description	QTY in machine	Weight (g)	Size LxWxH (mm)	MPQ	Repairable or No	Estimated Repair Time (minute)
59	5680145001	Hexagon Socket Screw Key	1	30	36x175x34	1	N	1
60	5680137001	Combination Wrench	2	30	170x8x27	10	N	1
212	2521079001	Accessory Box	1	500	318x220x46	1	N	0.5
201	2827138002	Battery Box Assembly	1	11220	432x586x312	1	Y	40
202	2829387001	Control Box Assembly	1	5000	335x316x84	1	Y	100
203	2827266001	Drive Train Assembly	1	24700	326x187x902	1	Y	120
204	2829451001	Control Assembly	1	6582.5	177x666x356.5	1	Y	40
205	2827044001	Front Frame Assembly	1	3290	639x164x137	1	Y	6
206	2827245002	Parking Assembly	1	1760	144x210x290	1	Y	10
207	2824284001	Deck Unit	1	27000	1328x836x176	1	Y	5
208	2827406003	Left Cover Assembly	1	3610	343x1031x312	1	Y	30
209	2827270002	Rear Guard Assembly	1	3290	564x366x277	1	Y	5
210	2827431003	Right Cover Assembly	1	3650	326x1031x345	1	Y	40
211	2827269001	Damping Seat Assembly	1	14600	596x596x540	1	Y	5
201-1	3130889001	Rear Transparent Guard	1	577	382x499x88	1	Y	5
201-2	3660705002	Compression Spring	1	3.4	9.4x9.4x33.4	10	Y	5
201-3	3130964001	Latch	1	57	65.5x69x120	1	Y	5
201-4	3706580001	Clamp	2	3.6	10x20x2	10	Y	5
201-5	5620157006	Hexagon Socket Screw	54	2.8	8x8x22	10	Y	1
201-6	5660305001	E Ring	4	0.3	10x11.7x0.7	10	Y	5
201-7	3553477001	Spindle	2	19.5	7x7x68	10	Y	10
201-8	2830882001	BMS Electric Assembly	1	5000	300x450x70	1	Y	30
201-9	5670559001	Pin Shaft	2	9	12x12x20.5	10	Y	5
201-10	3660805001	Gas Spring	1	186	20x20x225	1	Y	5
201-11	3707349001	Support Base	2	37.7	15.5x68x28.5	1	Y	5
201-12	3707351001	Hook	6	9.8	10x13x39.8	10	Y	35
201-13	5610388001	Hexalobular Socket Thread Forming Screw	14	4.4	12x12x17	10	Y	1
201-401	2827772001	Battery Box Cover Assembly	1	1570	450x559x119	1	Y	5
202-1	5620377003	Hexagon Socket Screw	32	2	8x8x17	10	Y	1
202-2	3700367001	Cord Anchorage	3	3	26x10.8x4	1	Y	1
202-3	3708930001	Cord Anchorage	1	3.6	10x20x2	10	Y	5
202-4	3131055001	Wire Holder	5	7.5	32x22x29	10	Y	1
202-5	4860792003	Type-C Male-male Wire	1	18	15x15x100	10	Y	25
202-6	3580076001	Rubber Sleeve	5	2.5	14x10x16	10	Y	30

Index No.	Art. No.	Description	QTY in machine	Weight (g)	Size LxWxH (mm)	MPQ	Repairable or No	Estimated Repair Time (minute)
202-7	4860797002	Type-C Male-male Wire	1	120.6g	15×15×200	1	Y	30
202-8	4860797001	Type-C Male-male Wire	1	30	15×15×200	1	Y	30
202-9	4861056001	Motor Wire Harness	1	90	30×30×150	1	Y	30
202-10	5620618001	Screw with Washer	20	2.6	10×10×10	10	Y	1
202-11	4860788001	Wire Harness	1	40	30×30×200	1	Y	30
202-12	4861140001	Motor Wire Harness	1	180	30×30×150	1	Y	30
202-13	4860786001	Motor Wiring Harness	1	5	30×30×15	10	Y	25
202-14	4861140002	Motor Wire Harness	1	180	30×30×150	1	Y	30
202-15	4861006001	Motor Wiring Harness	1	5	30×30×15	1	Y	25
202-16	5620051009	Screw	12	4	5×5×16	10	Y	1
202-17	2829376001	Control Electric Assembly	5	6	15×15×300	1	Y	30
202-18	4861140003	Motor Wire Harness	1	180	30×30×150	1	Y	30
202-19	4860785001	Motor Wiring Harness	1	5	30×30×15	10	Y	25
202-20	5610305002	Tapping Screw	1	5	6×6×15	10	Y	1
202-21	3900369002	PCB Box	1	75	130×114×33	1	Y	30
202-22	5610021001	Tapping Screw	1	1	8×8×11	10	Y	1
202-23	4891968001	Connecting PCBA	1	13.6	80×50×10	1	Y	30
202-24	4860791003	Type-C Male-female Wire	1	18	15×15×150	1	Y	30
202-25	4860792004	Type-C Male-male Wire	1	18	15×15×100	1	Y	25
202-26	5640373001	Hex Serrated Flange Screw	1	7.6	14×14×18	10	Y	25
202-27	4860768002	Host Power Wire Harness	1	60	15×15×300	1	Y	30
202-28	2829642001	Magnet Ring Assembly	1	500	230×100×50	1	Y	30
202-29	3707400001	Base Plate	1	158.7	161×232×2	10	Y	45
202-30	5630015001	Prevailing Torque Hexagon Nut	1	2	5×10×11	10	Y	1
202-31	5630006003	Prevailing Torque Hexagon Nut	10	1.5	8×9×5	10	Y	1
202-32	4860789001	Wire Harness	1	40	30×30×200	1	Y	30
202-33	3707407001	Cord Anchorage	2	4.1	34×10×4	10	Y	1
202-34	4861056002	Motor Wire Harness	1	90	30×30×150	1	Y	30
203-1	3707424001	Connecting Plate	1	789.7	416×80×20	1	Y	120
203-2	5640361001	Hexagon Flange Head Thread Forming Screw	4	22	38×16×16	10	Y	1
203-3	5640247002	Hexagon Head Bolt	8	11	12×12×44	10	Y	1
203-4	2730318001	DC Motor	2	3600	157×157×175	1	Y	30
203-5	3553570001	Brake Disc	2	160.8	68×68×11	1	Y	20

Index No.	Art. No.	Description	QTY in machine	Weight (g)	Size LxWxH (mm)	MPQ	Repairable or No	Estimated Repair Time (minute)
203-6	3521235001	Friction Block	2	4.7	28x12x7	10	Y	20
203-7	3707277001	Scaleboard	1	2.8	28.5x12.5x1	10	Y	20
203-8	5670552001	Parallel Pin	2	6.8	7.9x7.9x18.5	10	Y	20
203-9	5640009003	Hexagon Head Bolt	4	16	64x12x10	10	Y	1
203-10	3707423001	Connecting Plate	1	1337	363x110x42	1	Y	20
203-11	5630244004	Nut	4	5	13x13x6.7	10	Y	1
203-401	2827439002	Gear Case Assembly	1	16900	903x327x194	1	Y	120
203-402	2827528002	Right Bracket Assembly	1	180	91x56x70	1	Y	20
203-403	2827525002	Left Bracket Assembly	1	180	91x56x70	1	Y	20
204-1	5640351001	Hexagon Flange Head Screw with Shoulder	2	110.5	23x23x110	1	Y	50
204-2	3660807001	Compression Spring	2	29.8g	22x22x41	10	Y	50
204-3	5650740001	Plain Washer	2	8.6	28x28x2.5	10	Y	1
204-4	2827705002	Magnetic Holder Assembly	1	20	66x51x25	1	Y	52
204-5	2827703001	Rotating Lever	2	216.5	160x79x42	1	Y	50
204-6	2827704002	Magnetic Holder Assembly	1	20	66x51x25	1	Y	52
204-7	5620352002	Screw with Washer	4	3.25	9x9x16	10	Y	1
204-8	5610021001	Tapping Screw	4	1	8x8x11	10	Y	1
204-9	5630267001	Nut	4	13	20x20x13.5	10	Y	1
204-10	2827259001	Right Hall PCB Box	1	31	82x30x41	1	Y	25
204-11	2827260001	Left Hall PCB Box	1	31	82x30x41	1	Y	25
205-1	4860770001	Lamp Wire Harness	2	30	20x8x200	1	Y	10
205-2	2831393001	Control Electric Assembly	1	300	129x106x33	1	Y	10
205-3	4891966002	LED PCBA	1	70	155x115x4	10	Y	10
205-4	5610021001	Tapping Screw	10	1	8x8x11	10	Y	1
205-5	4891967002	LED PCBA	1	70	155x115x4	10	Y	10
205-6	3900346002	Transparent Cap Assembly	1	18.4	106x29x34	1	Y	10
205-7	3900344002	Transparent Guard Assembly	1	8	86x26x74	1	Y	10
205-8	3900345002	Transparent Guard Assembly	1	53.6	133x54x97	1	Y	10
205-9	3130877001	Front Frame	1	638	139x164x137	1	Y	10
205-10	5610305002	Tapping Screw	4	5	6x6x15	10	Y	1
206-1	2827480002	Switch Box Assembly	1	62	320x88x20	1	Y	15
206-2	5630371001	Prevailing Torque Type Hexagon Lock Nut with Flange	4	8.8	16x16x10.4	10	Y	1
206-3	3707284001	Pedal	1	414.5	217.5x93x80	1	Y	8

Index No.	Art. No.	Description	QTY in machine	Weight (g)	Size LxWxH (mm)	MPQ	Repairable or No	Estimated Repair Time (minute)
206-4	5640354001	Flange Bolt-Large Series	2	17	17.5×17.5×33	10	Y	1
206-5	3580060001	Rubber Sleeve	1	44.5	79×62.5×13	1	Y	2
206-6	5620352002	Screw with Washer	3	3.25	9×9×16	10	Y	1
206-7	3130932001	Seal Packing Case	1	48	132×91.5×39.7	1	Y	1
206-8	5620377003	Hexagon Socket Screw	4	2	8×8×17	10	Y	1
207-1	2730350001	DC Motor	3	3000	93×93×125	1	Y	20
207-2	2824539001	Chute Deflector Assembly	1	874.8	567×345×155	1	Y	10
207-3	5630244004	Nut	7	5	13×13×6.7	10	Y	1
207-4	5640352001	Hexagon Flange Bolt	3	62.8g	11×11×92	10	Y	1
207-5	3131072001	Roller Wheel	3	220	122×122×69	1	Y	3
207-6	5630371001	Prevailing Torque Type Hexagon Lock Nut with Flange	3	8.8	16×16×10.4	10	Y	1
207-7	5640222001	Hexagon Flange Bolt	12	18.1	18×18×24	10	Y	1
207-8	3580113001	Flange	3	111	30×30×15.5	10	Y	15
207-9	3708357001	Blade	3	586.7	456×50×19	1	N	20
207-10	5650510001	Washer	3	14	16.7×30×4	10	Y	15
207-11	5640226001	Flange Bolt	3	26	10×10×25	10	Y	15
207-12	5610388001	Hexalobular Socket Thread Forming Screw	4	4.4	12×12×17	10	Y	1
207-13	5690141001	O Ring	1	0.5	16×16×2.5	10	Y	1
207-14	2824231001	Deck Unit	1	31564	1328×836×176	1	Y	40
207-15	5640357001	Semicircular Head Square Neck Bolt	7	6.3	6×6×22	10	Y	1
207-16	3133020001	Baffle Strip	1	300	403×166×66	1	Y	6
207-17	3706747001	Baffle Strip	1	521	450×25×32	1	Y	6
207-401	2823718002	Outlet Nozzle Assembly	2	26	64×54.5×35.8	1	Y	6
208-1	3403155001	Storage Box Overturn	1	95	152×212×13	1	Y	1
208-2	4860775001	Wiring Harness	1	22	600×8×8	1	Y	25
208-3	4860792001	Type-C Male-male Wire	1	18	15×15×100	10	Y	25
208-4	4860791001	Type-C Male-female Wire	1	18	15×15×150	1	Y	30
208-5	2244808004	Nameplate	1	0.49	40×37×0.18	50	Y	1
208-6	4891973002	USB PCBA	1	20	81×83×20	1	Y	25
208-7	5610021001	Tapping Screw	4	1	8×8×11	10	Y	1
208-8	4891964001	USB PCBA	1	6.5	51×44×10	10	Y	25
208-9	4860773001	Wiring Harness	1	5.1	8×5×200	10	Y	25
208-10	4860774001	USB Cable	1	3	8×5×100	10	Y	25

Index No.	Art. No.	Description	QTY in machine	Weight (g)	Size LxWxH (mm)	MPQ	Repairable or No	Estimated Repair Time (minute)
208-11	2830790001	LED Electric Assembly	1	18.5	150×13×5	10	Y	10
208-12	3131122001	LED Holder	1	4.7	79×19×19	1	Y	10
208-13	3131076001	LED Cover	1	4.9	65×20×15	1	Y	10
208-14	2244800002	Brand Label	1	2.29	80×83×0.18	50	Y	1
208-15	3130900002	Left Cover	1	1788.1	1031×341×308	1	Y	20
208-16	2244798001	Brand Label	1	6.77	338×87×0.18	50	Y	1
208-17	5620377003	Hexagon Socket Screw	11	2	8×8×17	10	Y	1
208-18	2244807001	Brand Label	1	9.01	338×109×0.18	50	Y	1
208-19	3131104001	Left Cover Plate	1	4.2	50.2×40.2×6	10	Y	1
208-20	5610305002	Tapping Screw	4	5	6×6×15	10	Y	1
208-21	4970354001	Charging Fuse(40A)	1	2	42×12×8	10	Y	5
208-22	4860796001	Charging Harness Assembly	1	94.2	94×67×300	1	Y	35.0
208-23	4870766001	Switch Assembly	1	94.2	94×67×300	1	Y	35
208-24	3660810001	Torsion Spring	2	4	15×9×45	10	Y	45
208-25	3131010001	Charging Port Cover	1	48.7	102×47×115	1	Y	45
208-26	3700367001	Cord Anchorage	1	3	26×10.8×4	1	Y	1
208-27	4860771001	Wiring Harness	1	25	10×10×120	1	Y	35
208-28	3131007001	Lower Housing	1	82	168×132×110	1	Y	35
208-29	5620377003	Hexagon Socket Screw	11	2	8×8×17	10	Y	1
208-401	2827407003	Storage Box Assembly	1	1200	216×401×149	1	Y	5
208-402	2827462003	Left Cover Set	1	2500	352×1027×360	1	Y	30
209-1	2827628001	L R Indicator Cover Set	1	28.5	1110×80×30	1	Y	5
209-2	5620377003	Hexagon Socket Screw	6	2	8×8×17	10	Y	1
209-3	3707406001	Wire Holder	2	1.7	8×20×5	10	Y	1
209-4	3900385001	Guard Assembly	1	164.5	180×250×50	1	Y	6
209-5	2830770001	LED Electric Assembly	1	20.5	500×13×5	1	Y	6
210-1	2827438001	LCD Assembly	1	407.5	50×200×150	1	Y	30
210-2	3130995001	Control Panel	1	242	216×401×80	1	Y	30
210-3	4870762001	Push Switch	1	40	49×38×77	1	Y	30
210-4	4870764001	Push Switch	1	31	28×26×40	1	Y	30
210-5	3660812001	Torsion Spring	1	0.3	8×8×17	10	Y	15
210-6	3322835001	Phone Box Cover	1	11.8	34×116×19	1	Y	15
210-7	3131078001	Phone Box	1	71.2	46×106×107	1	Y	15
210-8	2830779001	Switch Electric Assembly	1	166	60×120×50	1	Y	30

Index No.	Art. No.	Description	QTY in machine	Weight (g)	Size LxWxH (mm)	MPQ	Repairable or No	Estimated Repair Time (minute)
210-9	4860791002	Type-C Male-female Wire	1	18	15x15x150	10	Y	30
210-10	3131055001	Wire Holder	2	7.5	32x22x29	10	Y	1
210-11	3580076001	Rubber Sleeve	2	2.5	14x10x16	10	Y	30
210-12	4860782001	Wiring Harness	1	18	10x10x610	1	Y	30
210-13	5620377003	Hexagon Socket Screw	19	2	8x8x17	10	Y	1
210-14	3122798001	Cord Anchorage	3	1.14	23x8x7	1	Y	1
210-15	5610305002	Tapping Screw	3	5	6x6x15	10	Y	1
210-16	2830790001	LED Electric Assembly	1	18.5	150x13x5	10	Y	10
210-17	3131077001	LED Holder	1	4.7	80x80x20	1	Y	20
210-18	3131076001	LED Cover	1	4.9	65x20x15	1	Y	10
210-19	3130996001	Control Box Base	1	612.3	216x401x120	1	Y	20
210-20	2244800001	Nameplate	1	2.29	80x83x0.18	50	Y	1
210-21	3130904002	Right Cover	1	1860	326x1031x322	1	Y	50
210-22	5620377003	Hexagon Socket Screw	3	2	8x8x17	10	Y	1
210-23	2244807002	Brand Label	1	9.01	338x109x0.18	50	Y	1
210-24	3131105001	Right Cover Plate	1	5	41x50x9	10	Y	1
210-25	4860777001	Wiring Harness	1	783.4	30x15x1400	1	Y	45
210-26	3700367001	Cord Anchorage	4	3	26x10.8x4	1	Y	1
210-27	5610021001	Tapping Screw	4	1	8x8x11	10	Y	1
210-28	2244798002	Brand Label	1	6.77	338x87x0.18	50	Y	1
210-401	2827437001	Control Box Assembly	1	1600	217x402x159	1	Y	20
211-1	3402283001	Armrest	1	290	255x78x47	1	Y	2
211-2	5610388001	Hexalobular Socket Thread Forming Screw	2	4.4	12x12x17	10	Y	1
211-3	5640354001	Flange Bolt-Large Series	6	17	17.5x17.5x33	10	Y	1
211-4	4870579001	Switch Assembly	1	62	106x70x44	1	Y	12
211-5	5640222001	Hexagon Flange Bolt	2	18.1	18x18x24	10	Y	1
211-6	3550110002	Washer	4	5	20x20x3	10	Y	14
211-7	2827473001	Guide Rail Assembly	1	2200	444x230x73	1	Y	14
211-8	5620021004	Hexagon Socket Screw	4	11.5	13x13x24	10	Y	1
211-401	2827759001	Right Armrest Assembly	1	1450	352x116x134	1	Y	2
211-402	2827760001	Left Armrest Assembly	1	1450	352x116x134	1	Y	2