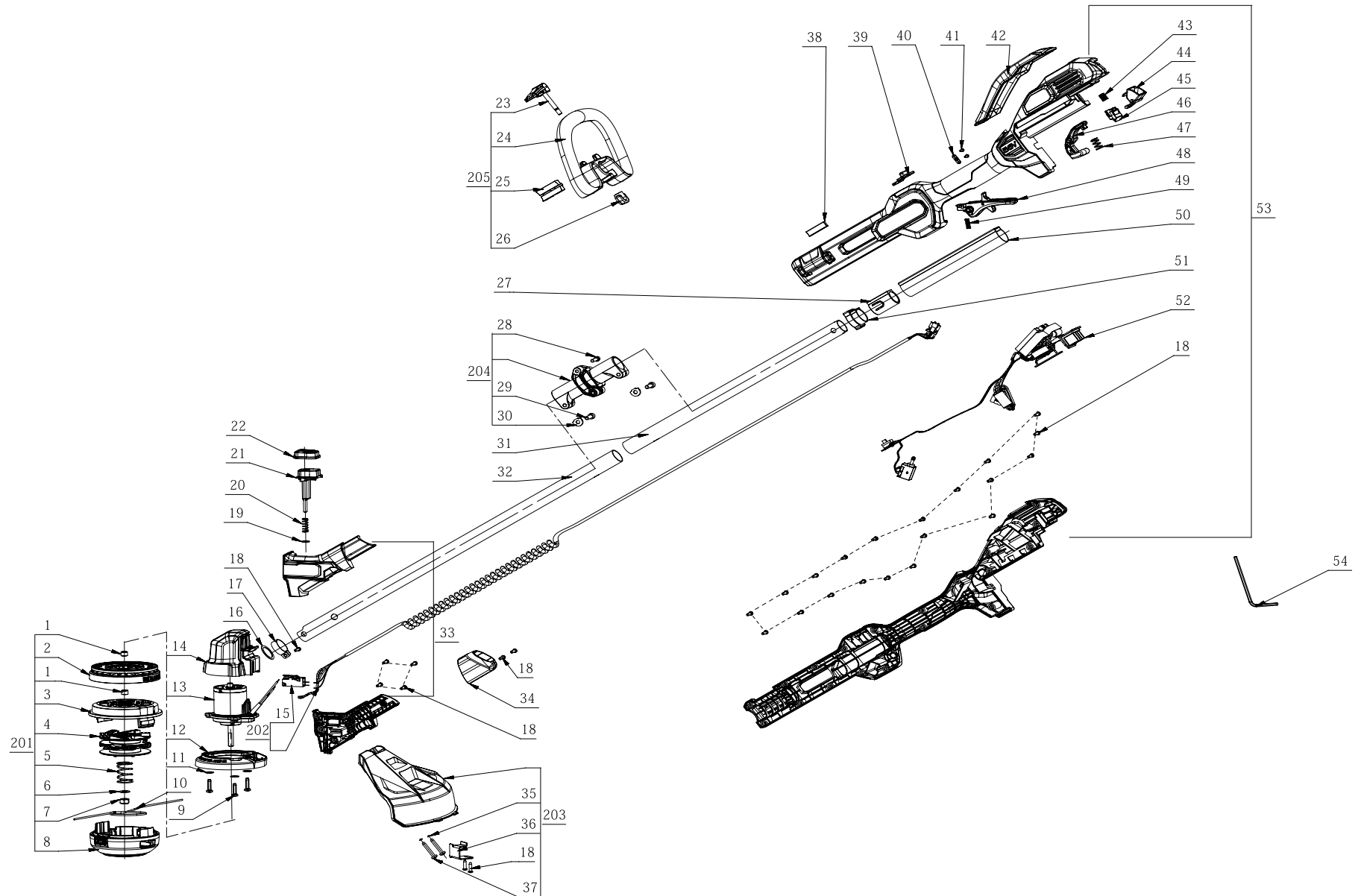




Product Description: String Trimmer
Model Number: ST1400E-ST
Body Number: 0760103002_S
Version: A
Issue Date: 2020/10/30





Repair Parts_String Trimmer_4821(ST1400E-ST)

Index No.	Art. No.	Description	QTY in machine	Weight (g)	Size LxWxH (mm)	MPQ	Repairable or Not?	Standard Repair Time (min.)
1	3580161001	Position Sleeve	2	4	8x10x7	10	Y	13
2	2827608002	Support Plate Assembly	1	106.8	108x108x25	1	Y	13
3	3129007001	Upper Housing	1	71	113x113x40	1	Y	13
4	2825307002	Spool Assembly	1	104	78x78x40	1	Y	13
5	3660582001	Compression Spring	1	7.5	25x25x35	10	Y	5
6	3700155002	Washer	1	1.8	16x16x1	10	Y	5
7	5630271001	Nut	1	4.5	13x15x8.5	10	Y	5
8	2825469004	Lower Housing ASSY	1	136.5	110x110x55	1	Y	3
9	5610059007	Thread Forming Screw	3	7	8.9x8.9x25	10	Y	1
10	3800122001	Trimmer Line	1	25	10x10x5	n/a	N	1
11	5650497001	Plain Washer	3	0.4	13x13x0.5	10	Y	1
12	3131352001	Fan Guard	1	27.8	110x110x20	1	Y	21
13	2730340001	DC Motor	1	515	109x82x71.9	1	Y	31
14	3422758001	Motor Housing	1	115.8	83.2x79.5x78.7	1	Y	25
15	4870483001	Switch Assembly	1	9	85x15.4x32.5	1	Y	25
16	5650345001	Washer	1	2	29.2x29.2x0.8	10	Y	1
17	3705178001	Fixed Ring	1	5	27x9.9x35.8	10	Y	1
18	5610294001	Tapping Screw	29	1.3	7x7x18	10	Y	1
19	5650396003	Washer	1	1	12x12x1	10	Y	1
20	3660303002	Spring	1	0.5	9x9x25	10	Y	1
21	3131398001	Pin Button	1	12.4	81x33x32.5	1	Y	25
22	2827733002	Protective Cover Set	1	5.9	38.5x28.7x13.2	10	Y	25
23	2824142001	Handle Lever Set	1	22	72.3x26x62.3	1	Y	3
24	3127657001	Front Handle	1	200	231.5x68x144	1	Y	5
25	3127651001	Clamping Block	1	1.5	37x21x20.5	1	Y	3
26	3400010003	Wing Nut	1	11	32x21x8	10	Y	3
27	3580111001	Inner Pipe Bush	1	9.1	40.5x28x28.2	1	Y	11
28	5620434003	Hexagon Socket Screw	1	5	8.5x8.5x27	10	Y	2
29	5620334004	Hexagon Socket Screw	2	7	10x11x26	10	Y	1
30	3705464001	Limit Chute	2	2.8	6.4x15.4x2.5	1	Y	2
31	3707554001	Rear Connecting Tube	1	99.2	25x25x426	1	Y	25
32	3707552001	Front Connecting Tube	1	129	25x25x627.5	1	Y	45
33	3900342001	L R Housing Set	1	110.9	143x114x52.5	1	Y	31
34	3131399001	Collet	1	26	54.5x35.8x46.8	1	Y	5
35	5690203001	O Ring	2	0.2	5.5x5.5x1	10	Y	1
36	3707685001	Blade	1	20	30x26x30.8	1	Y	3
37	5610254001	Tapping Screw	2	8	4x4x16	10	Y	1
38	3131368001	Rubber Block	1	5	35x10x6.5	10	Y	11
39	3131428002	Dial Button	1	3.9	35x34x13	10	Y	11
40	3700070003	Cord Anchorage	1	1	19x6x2.2	10	Y	1
41	5610011001	Tapping Screw	2	0.6	2.9x2.9x10	10	Y	1
42	3127650001	Cover	1	53	170.9x79.6x28	1	Y	11
43	3660013003	Spring1	1	1	9.9x9.9x25	10	Y	11
44	3127498001	Power Pack Button	1	9.5	43x36.8x27.5	1	Y	11
45	3127497001	Power Pack Button	1	5	42.5x24.5x11.4	1	Y	11
46	3128266001	Lever	1	16	52x51x34	1	Y	11
47	3660614001	Compression Spring	1	3	12.2x12.2x19.8	10	Y	11
48	3131490002	Trigger Assembly	1	27.2	91x39x36.5	1	Y	11
49	3660088003	Knob-reset Spring	1	0.2	6x6x18	10	Y	11
50	3707553001	Chute Deflector	1	62.9	190.5x1x31.3	10	Y	15
51	3580110001	Outer Tube Bush	1	7.4	36x33x20	1	Y	15
52	2830910001	Electric Assembly	1	207	64.6x59.4x50	1	Y	25
53	2827607002	Handle Assembly	1	1816	647x110x152	1	Y	31
54	5680164001	Inner Hexagon Spanner	1	16	99x49x4	1	Y	1
201	2827611002	Cutting Head Set	1	432.6	113x113x77	n/a	N	11
202	2827773001	Spring Wire Assembly	1	176.3	10x10x10	10	Y	45
203	2827808002	Guard Assembly	1	257	134x122x304	1	Y	3
204	2825434002	Connector ASSY	1	170	122x37x652	1	Y	25
205	2824020001	Handle ASSY	1	240	232x144x68	1	Y	5