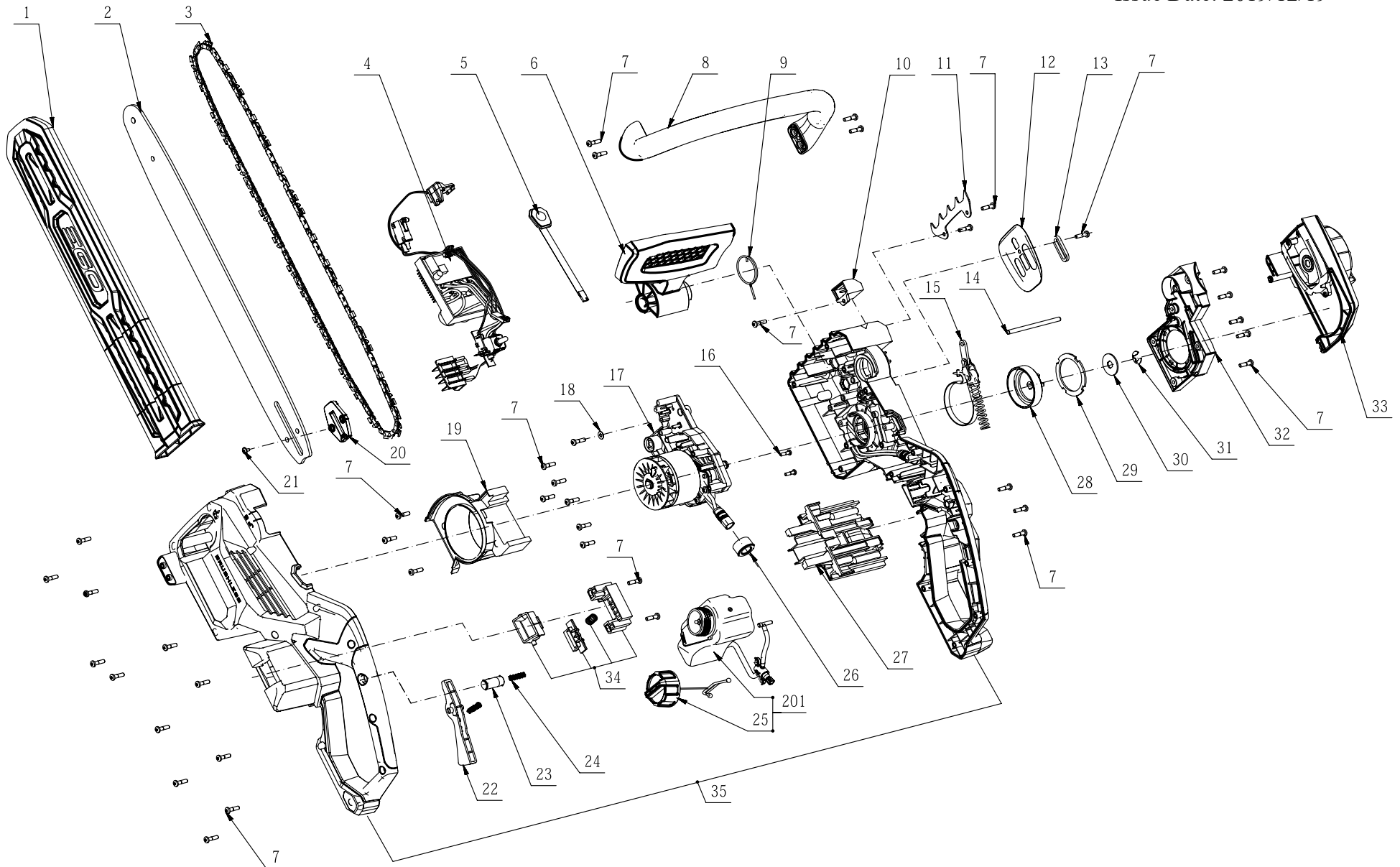




Product Description:Chain Saw
Model Number:CS1800E
Body Number:0640004002_S
Version: A
Issue Date: 2019/12/19





Repair Parts_Chain Saw_4554(CS1800E)

Index No.	Art. No.	Description	QTY in machine	Weight (g)	Size LxWxH (mm)	MPQ	Repairable or Not?	Standard Repair Time (min.)
1	3130408001	Sheath	1	120	450x90x20	1	Y	1
2	3706993001	Guide	1	603	409x55x3.8	1	N	/
3	3810738001	Chain	1	170	180x120x15	1	N	/
4	2830737001	Electric ASSY	1	220	120x80x50	1	Y	13
5	2826939001	Support Assembly	1	2.1	137x27x3	1	Y	13
6	3403087001	Board	1	230	170x146x60	1	Y	10
7	5620479001	Screw	40	4	ST4.2x16	10	Y	1
8	3127504002	Front Handle	1	110	225.3x201.7x129.6	1	Y	4
9	3660755001	Torsion Spring	1	4	φ37.5x4.2	1	Y	10
10	3130327001	Transparent Cap	1	6.4	25x26x26	1	Y	12
11	3707012001	Wood Teeth	1	15	93x33x1.5	1	Y	5
12	3706992001	Protecting Cover	1	16	85x76x6	1	Y	5
13	3130337001	Rubber Gasket	1	1	34x12x4	1	Y	3
14	5670526001	Parallel Pin	1	12	φ5x80	1	Y	8
15	2826922001	Brake Assembly	1	52	115x70x15	1	Y	8
16	5610305001	Tapping Screw	2	3	ST3.5x13	10	Y	15
17	2826938001	Support Assembly	1	950	184x121x87	1	Y	20
18	3700182001	Washer B	1	0.5	4.3x10x0.5	1	Y	13
19	3130231001	Fan Baffle	1	65	130x116x60	1	Y	10
20	3521187001	Adjusting Base	1	43	52x36x11	1	Y	4
21	5620731001	Cross Recessed Pan Head Screw	1	0.5	M3x6	10	Y	4
22	3130334001	Switch Trigger	1	14	110x26x21	1	Y	10
23	3130335001	Lock off Button	1	3.3	27x20x12	1	Y	10
24	3660427002	Spring	2	0.5	φ5.5x24	10	Y	10
25	2826918001	Cover Assembly	1	22	110x45x40	1	Y	1
26	3680171001	Magnet Ring	1	5	22.7x13.42	10	Y	12
27	2826746002	Support ASSY	1	127	136x100x43	1	Y	12
28	3422529001	Sprocket	1	80	φ53x24	1	Y	6
29	5690440001	Felt Ring	1	2	φ54.5x2	10	Y	6
30	5660208002	Gasket	1	6.3	10x28x1.5	10	Y	4
31	5660242001	"E" Ring	1	0.3	φ16x1	10	Y	4
32	3130303001	Cover	1	65	130x125x33	1	Y	5
33	2826745002	Cover ASSY	1	380	150x105x72	1	Y	1
34	2826940001	Button Unit	1	31	42.5x25x10.5	1	Y	10
35	2826824001	Housing Set	1	1030	440x208x115	1	Y	30
201	2826782002	Pump ASSY	1	105	120x105x95	1	Y	18