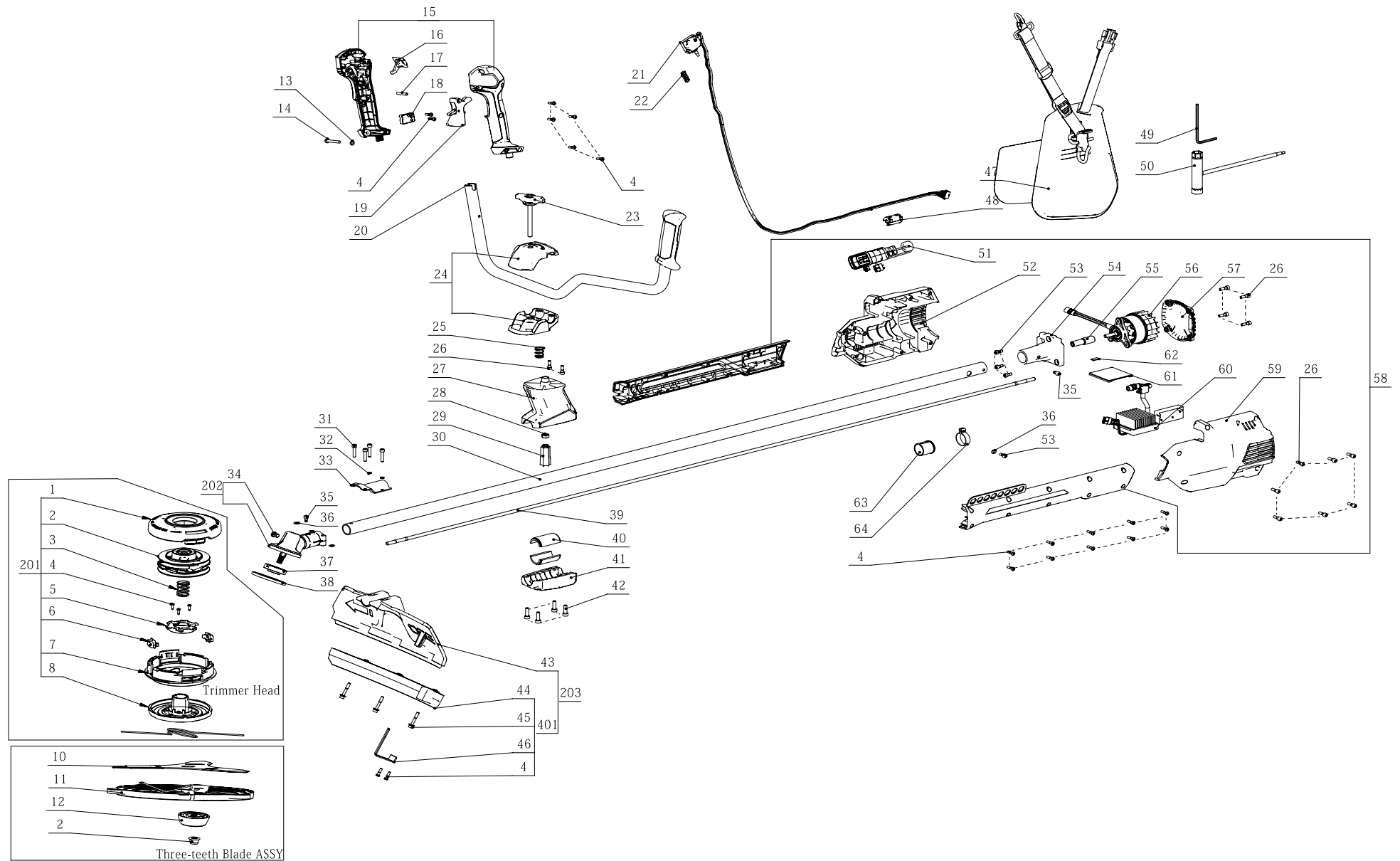




Product Description: Brush Cutter
Model Number: BCX3800
Body Number: 0760078001_S
Version: B
Issue Date: 2020/12/08





Repair Parts_Bike Brush Cutter_4815(BCX3800 B)

Index No.	Art. No.	Description	QTY in machine	Weight (g)	Size LxWxH (mm)	MPQ	Repairable or Not?	Standard Repair Time (min.)
1	3131052001	Top Cover	1	119.3	Φ140.8x38	1	Y	5
2	2827187002	Mounting Wire Holder	1	190	Φ100x44.2	1	Y	4
3	3660833001	Compression Spring	1	18	24x30	1	Y	2
4	5610022004	Tapping Screw	3	4	5T3.5x12	10	Y	3
5	3131050001	Connect Bush	1	66	Φ63.9x10.2	1	Y	5
6	3422035001	Retaining Ring	1	20	15x18.5x23	1	Y	8
7	3131037001	Lower Housing	1	144	Φ132.2x42.1	1	Y	8
8	3131529001	Base Pad	1	116.5	Φ122.5x46.4	1	Y	3
10	3706105001	Blade	1	390	Φ304x2.5	1	N	6
11	2824948002	Blade Cover	1	147	Φ312x37	1	Y	1
12	3421864001	Outer Flange	1	80	Φ60x22	1	Y	3
13	5650013006	Plain Washer	1	0.5	Φ5.3x1	1	Y	1
14	5620662001	Hexagon Socket Screw	1	6	M5x38	10	Y	1
15	2826114001	Control Handle Set	1	18.5	224.5x92x56.5	1	Y	15
16	3129398001	Push Button	1	4.5	30.5x30.5x33	1	Y	9
17	5670028002	Pin	1	4.6	5x30	1	Y	5
18	3521123001	Plunge Frame	1	22	29.5x20.5x8	1	Y	5
19	2825785001	Switch Lever ASSY	1	46	66x50.5x18.5	1	Y	5
20	2825641001	Auxiliary Handle ASSY	1	367	647x330x47.5	1	Y	5
21	2825816001	Switch Assembly	1	92.5	34.5x42.5x1040	1	Y	25
22	3660013003	Spring1	1	1	Φ9.9x25	10	Y	6
23	5640272001	Wing Bolt	1	60	101.5x60.7x27.5	10	Y	1
24	3900008001	Handle Cover ASSY	1	167	94x72x53	1	Y	8
25	3660712001	Compression Spring	1	2.6	17x21	10	Y	4
26	5620019004	Hexagon Socket Screw	13	4.32	M5x16	10	Y	1
27	3422163001	Bottom Support	1	311	109.5x106.5x70.5	1	Y	12
28	5630016006	Hexagon Nut	1	4.6	M8	10	Y	10
29	3129464001	Knighthead	1	6	Φ20.2x48	1	Y	10
30	2825607001	Tube Assembly	1	421	Φ25.4x1577	1	Y	40
31	5620216006	Hexagon Socket Screw	4	5	M5x25	10	Y	1
32	5650015012	Spring Washer	2	2	Φ7.9x1.2	10	Y	1
33	3705417001	Fixing Board	1	58.5	66x48x19	1	Y	2
34	5620606001	Hexagon Socket Screw	1	5	M8x10	10	Y	1
35	5620213003	Hexagon Socket Screw	2	3.4	M5x10	10	Y	1
36	5650598001	Washer	3	0.2	5.3x11x0.4	10	Y	1
37	3552509001	Inner Flange	1	66.3	Φ44x13.5	1	Y	8
38	3706103001	Shield	1	39	Φ70x5.5	1	Y	8
39	2825589001	Shaft	1	479	Φ7x1606.8	1	Y	5
40	3128392001	Rubber Gasket	2	11.969	50x35x17.5	1	Y	6
41	3422159001	Mounting Cover	1	101.5	100.5x59.5x31	1	Y	6
42	5620334004	Hexagon Socket Screw	4	7	Φ9.9x25	10	Y	1
43	2825605001	Guard ASSY	1	230	352x103x102	1	Y	5
44	3129385001	Guard	1	76.5	352.3x71x36.9	1	Y	3
45	5620548001	Screw with Washer	3	3	Φ9x35	10	Y	2
46	3706542001	Blade	1	44	67x26x41.5	1	Y	1
47	3800148001	Harness	1	305	720x213x35	1	Y	1
48	3680227001	Magnetic Block	1	20.4	20x20x35	1	Y	5
49	5680164001	Inner Hexagon Spanner	1	15.6	4(L95xH45)	1	Y	1
50	5680217001	Wrench	1	160	21x100x225	1	Y	1
51	4860525001	Internal Wire ASSY	1	92	61.5x31.4x130	1	Y	10
52	3422157001	Right Housing	1	617	260.2x164x51.5	1	Y	30
53	5620018005	Hexagon Socket Screw	4	3.7	M5x12	10	Y	22
54	2825783001	Base Assembly	1	171	78x72x66.5	1	Y	32
55	3552896001	Shaft Sleeve	1	45	Φ15x50.7	1	Y	35
56	2730271001	DC Motor	1	851	35x60	1	Y	40
57	3422158001	Rear Cover	1	73	95x94.3x9.5	1	Y	2
58	3900024001	Cover Set	1	287.7	420x77x55.5	1	Y	5
59	3422156001	Left Housing	1	606	260.2x128.5x50	1	Y	8
60	2830332001	Electric Assembly	1	290	66x62x36	1	Y	25
61	3129444001	Plate	1	6	61.5x58.5x4	1	Y	15
62	3704820001	Sponge Pad	1	0.5	14X8X1.5	1	Y	15
63	3129457001	Holding Ring	1	5	Φ30.5x28.5	1	Y	25
64	3706559001	Fixed Ring	1	9	Φ28.6x10	1	Y	25
401	2825604001	Lower Guard ASSY	1	143.5	352x82x71	1	Y	5
201	AH3810	Cutting Head Set	1	677.8	Φ140.8x67.9	/	N	10
202	2825611001	Gear Case ASSY	1	286.5	109x96x33	1	Y	12
203	2825603001	Guard ASSY	1	373.5	352x140x152	1	Y	2