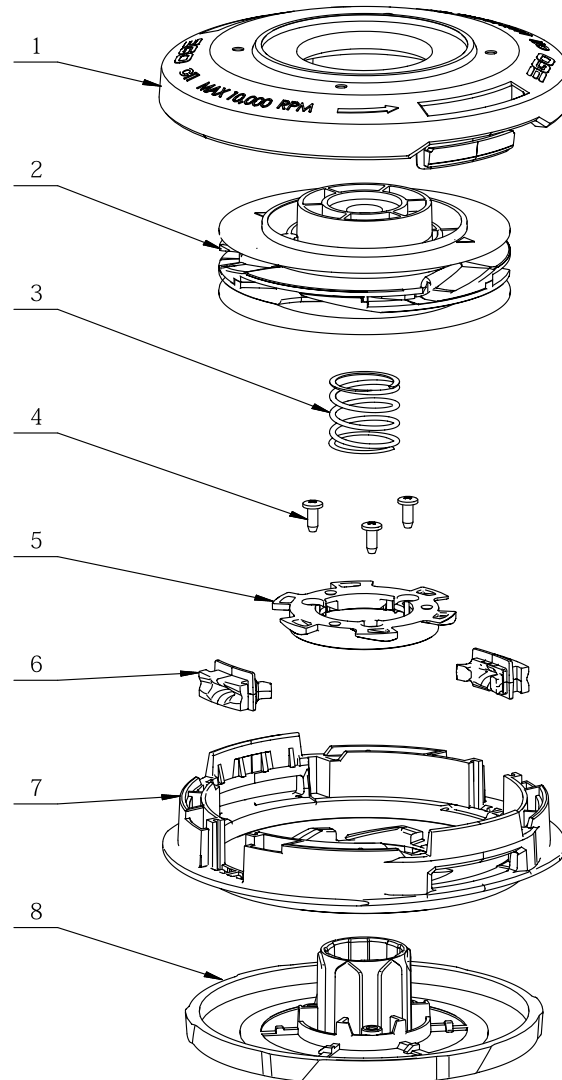




Product Description:Accessory
Model Number:AH3810
Body Number:2827186001_S
Version: A
Issue Date: 2020/12/08





Repair Parts_Cutting Head_AH3810

Index No.	Art. No.	Description	QTY in machine	Weight (g)	Size LxWxH (mm)	MPQ	Repairable or Not?	Standard Repair Time (min.)
1	3131052001	Top Cover	1	150	140.8×140.8×38	1	Y	10
2	2827187002	Mounting Wire Holder	1	136	100.2×100.2×44.5	1	Y	10
3	3660833001	Compression Spring	1	8	24×24×30	1	Y	10
4	5610022004	Tapping Screw	3	1	3.5×3.5×12	10	Y	10
5	3131050001	Connect Bush	1	10	63.9×63.9×10.2	1	Y	10
6	3422035001	Retaining Ring	2	6	23×18.5×15	1	Y	10
7	3131037001	Lower Housing	1	112	138×138×43.1	1	Y	10
8	3131529001	Base Pad	1	115	122.5×122.5×46.4	1	Y	10